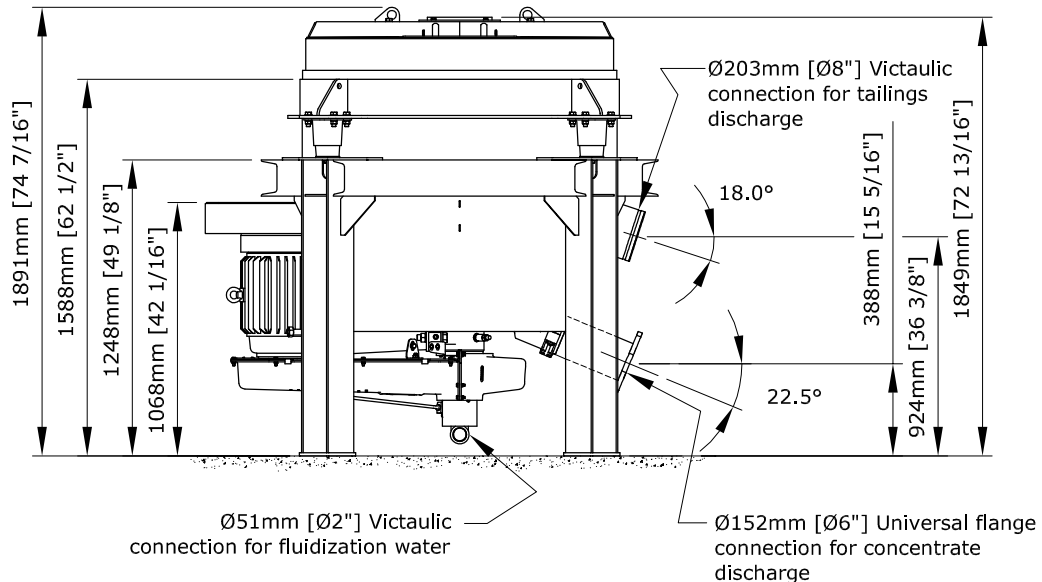
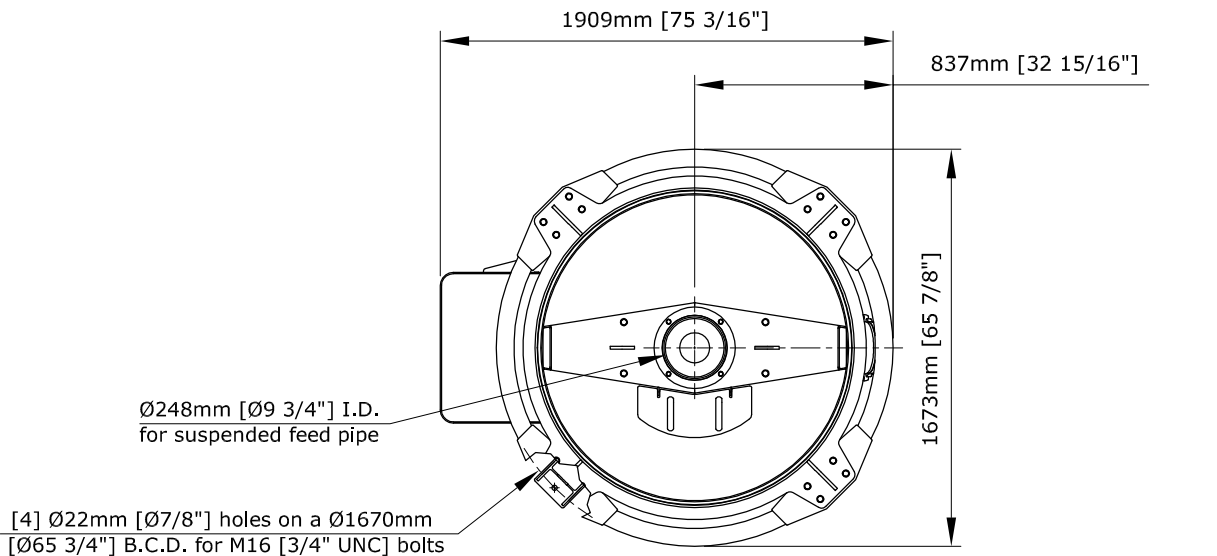


**Knelson Concentrator Model
 KC-QS30
 Specification Sheet**

Maximum Feed Capacity - 150 tonnes/hr solids
 Maximum Total Volumetric Throughput - 205m³/hr (900USgpm)
 Feed Size - Maximum: 6mm; Recommended: 2mm
 Feed Density - 0 - 75% Solids by weight
 Minimum Air Flow Required (Auto Piping Only) - 5.1m³/hr (3ft³/min) @ 600kPa (90psi)
 Concentrator Installation Weight - 1678kg (3692lbs)
 Motor - 11 - 22kW (15 - 30HP) - Electric

Cone Style	Fluidization Water m ³ /hr (USgpm)	Concentrate Weight kg (lb)	G-Force Range G's
G4	30 (130) - 39 (170)	35 (78) - 45 (100)	60
G5	17 (75) - 24 (105)	23 (51) - 29 (65)	60
G6	26 (115) - 39 (170)	35 (78) - 45 (100)	60 - 120
G7	14 (60) - 27 (120)	39 (87) - 59 (130)	60 - 200



Note:
 - Specifications subject to change without notice.
 - All piping to concentrator to be flexible to allow for slight oscillation of unit during operation.
 - Consult FLSmidth Knelson for more detailed operating parameters for your specific application.